

# Coupling device AGH676S-4



# Coupling device AGH676S-4



## Product description

The coupling device AGH676S-4 series is designed to extend the nominal voltage range to AC, 3(N)AC 0...12 kV, 50...460 Hz for the ISOMETER® iso685... series and IRDH275-4xx/IRDH375-4xx/IR420-D64.

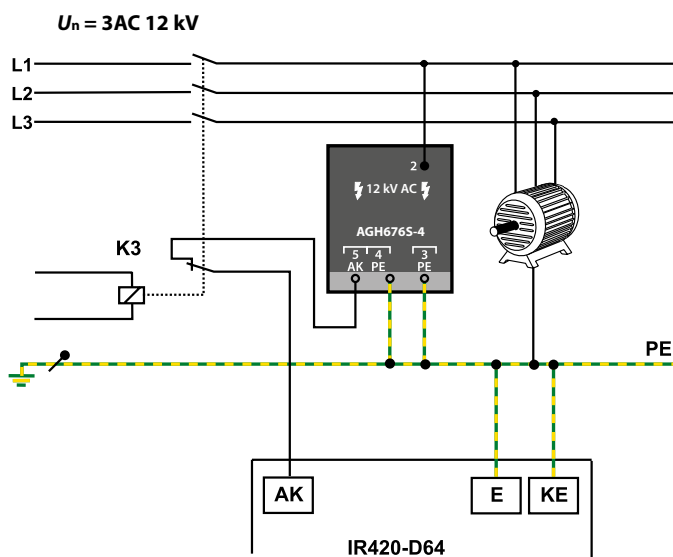
## Approvals



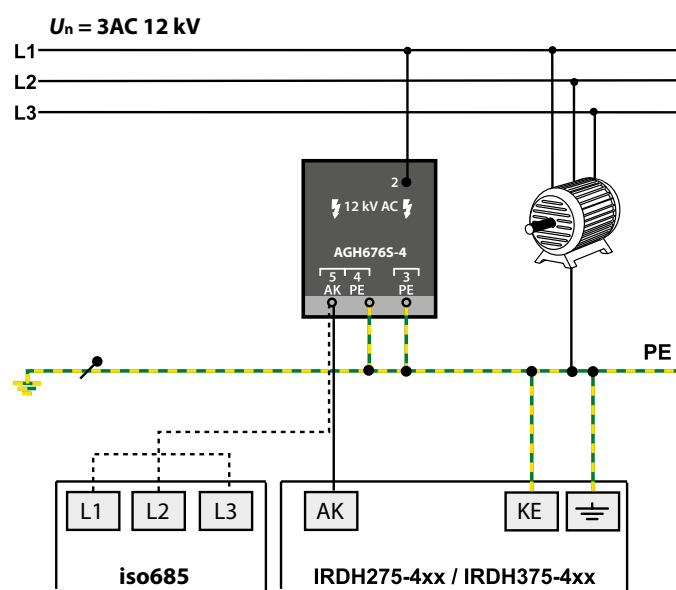
## Ordering information

Nominal system voltage $U_n$	Cable length	Type	Art. No.
AC, 3(N)AC	2000 mm	AGH676S-4	B 913 055
0...12 kV, 50...460 Hz			

## Wiring diagram offline (IR420-D64)



## Wiring diagram online (iso685/IRDH275-4xx/IRDH375-4xx)



**Technical data**

**Insulation coordination acc. to IEC 61800-5-1**

Rated insulation voltage	AC 12 kV
--------------------------	----------

**Voltage test acc. to IEC 61800-5-1**

**Type test**

Voltage impulse test	≥ AC 75 kV
AC voltage test	≥ AC 45 kV
Partial discharge test	≥ 16.5 kVeff

**Routine test**

AC voltage test, rate of increase < 2 kV/s	AC 25 kV
--	----------

**Voltage ranges**

Nominal system voltage Un	AC / 3(N)AC 0...12 kV
Nominal frequency fn	50...460 Hz
Internal DC resistance Ri	≥ 160 kΩ
Impedance Zi at 12 kV and 50 Hz	≥ 12 MΩ

**Environmental conditions**

Shock resistance IEC 60068-2-27 (during operation)	15 g/11 ms
Bumping IEC 60068-2-29 (during transport)	40 g/6 ms
Vibration resistance IEC 60068-2-6 (during operation)	1 g / 10...150 Hz
Vibration resistance IEC 60068-2-6 (during transport)	2 g / 10...150 Hz
Ambient temperature, during operation	-10...+55 °C
Storage temperature range	-40...+70 °C
Climatic class acc. to IEC 60721-3-3	3K5

**Connection**

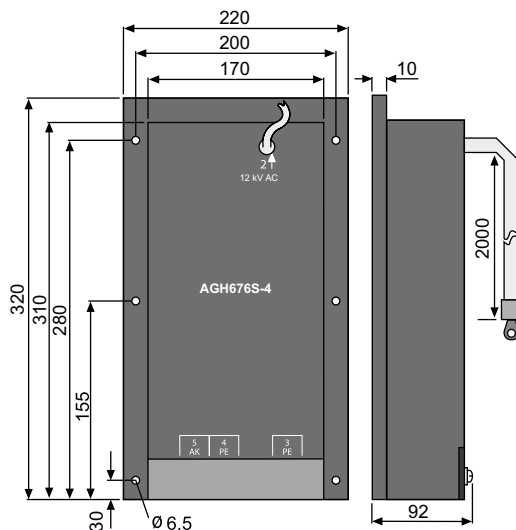
Connection medium voltage	high-voltage cable (encapsulated on the device side)
Connection, flexible with ring terminal	M8
Connection terminals 3, 4, 5	screw terminals
Connection properties rigid/flexible	0.2...4 mm <sup>2</sup> /0.2...2.5 mm <sup>2</sup>

**Other**

Operating mode	continuous operation
Position	any position
Degree of protection, internal components (DIN EN 60529)	IP64
Degree of protection, terminals (DIN EN 60529)	IP20
Type of enclosure	resin-encapsulated block
Screw fixing	M5
Flammability class	UL94 V-0
Documentation number	D00096
Weight	≤ 8400 g

**Dimension diagram**

Dimensions in mm





**Bender GmbH & Co. KG**

P.O. Box 1161 • 35301 Gruenberg • Germany  
Londorfer Strasse 65 • 35305 Gruenberg • Germany  
Tel.: +49 6401 807-0 • Fax: +49 6401 807-259  
E-Mail: [info@bender.de](mailto:info@bender.de) • [www.bender.de](http://www.bender.de)

Przedstawiciel na Polskę:  
PRO-MAC  
ul. Bema 55, 91-492 Łódź  
tel. 42 6161681/691  
e-mail: [biuro@promac.com.pl](mailto:biuro@promac.com.pl)



**BENDER Group**